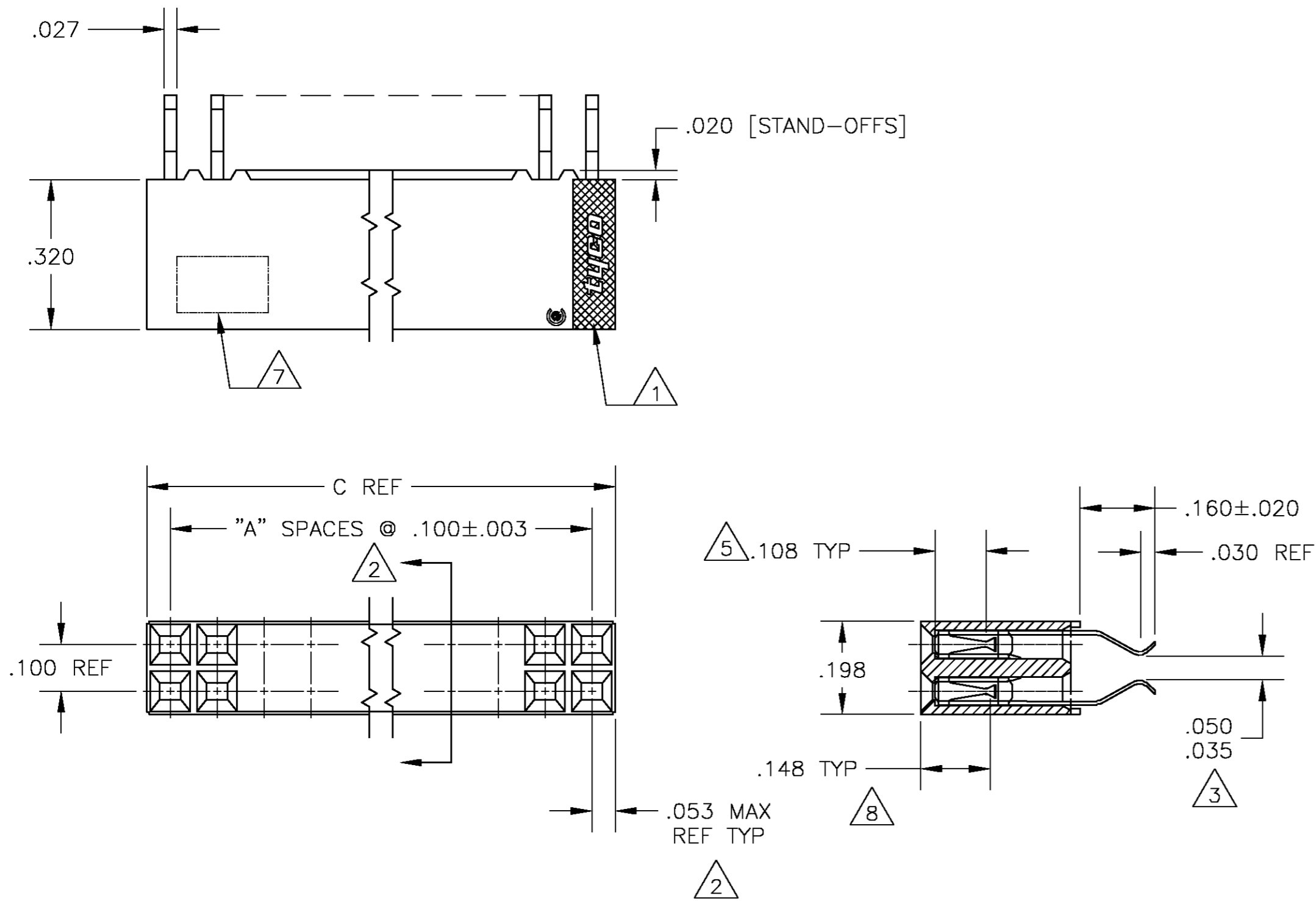


THIS DRAWING IS UNPUBLISHED. RELEASED FOR PUBLICATION
 © COPYRIGHT BY TYCO ELECTRONICS CORPORATION. ALL RIGHTS RESERVED.

LOC	DIST	REVISIONS			
P	LTR	DESCRIPTION	DATE	DWN	APVD
AD	00	U	EC 0G3C 0025 05	16MAR05	MB JO



- 1 TYCO TRADEMARK AND CSA LOGO ARE MOLDED INTO HOUSING.
- 2 THESE DIMENSIONS PERTAIN TO CAVITY C'S ONLY - NOT TO CONTACT LOCATIONS
- 3 THESE DIMENSIONS ARE DESIGNED FOR .0625±.0075 THICK PC BOARD
- 4 DUPLEX PLATED, .00030 GOLD ON CONTACT AREA, .000150-.000300 BRIGHT TIN-LEAD OR TIN ON SOLDER LEADS, ALL OVER .000050 NICKEL.
- 5 POINT OF MEASUREMENT FOR PLATING THICKNESS (MEASURED INSIDE CONTACT BEAMS)
- 6 NO PART NUMBER MARKING REQUIRED FOR THIS PART
- 7 PART NUMBER AND DATE CODE MARKED IN APPROXIMATE LOCATION SHOWN.
- 8 POINT OF CONTACT MEASUREMENT.
- 9 HOUSING; GLASS FILLED, FLAME RETARDANT POLYESTER
COLOR-BLACK
CONTACTS: PHOSPHOR BRONZE.
- 10 DUPLEX PLATED: .000030 GOLD ON CONTACT AREA, .0001500-.000300 MATTE TIN ON SOLDER LEADS, ALL OVER .000050 MINIMUM NICKEL.
- 11 ROHS 2002/95/EC COMPLIANT

3.200	3.100	31	64	7-87331-9
3.100	3.000	30	62	7-87331-8
2.900	2.800	28	58	7-87331-7
2.800	2.700	27	56	7-87331-6
2.300	2.200	22	46	7-87331-5
1.800	1.700	17	36	7-87331-4
1.600	1.500	15	32	7-87331-3
1.100	1.000	10	22	7-87331-2
.600	.500	05	12	7-87331-1
.900	.800	08	18	7-87331-0
2.700	2.600	26	54	6-87331-9
1.700	1.600	16	34	6-87331-8
1.300	1.200	12	26	6-87331-7
1.200	1.100	11	24	6-87331-6
.700	.600	06	14	6-87331-5
2.100	2.000	20	42	6-87331-4
2.600	2.500	25	52	6-87331-3
2.200	2.100	21	44	6-87331-2
3.000	2.900	29	60	6-87331-1
1.500	1.400	14	30	6-87331-0
.500	.400	04	10	5-87331-9
2.500	2.400	24	50	5-87331-8
2.400	2.300	23	48	5-87331-7
.400	.300	03	8	5-87331-6
.800	.700	07	16	5-87331-5
1.000	.900	09	20	5-87331-4
1.400	1.300	13	28	5-87331-3
1.900	1.800	18	38	5-87331-2
2.000	1.900	19	40	5-87331-1
3.200	3.100	31	64	2-87331-9
3.100	3.000	30	62	2-87331-8
2.900	2.800	28	58	2-87331-7
2.800	2.700	27	56	2-87331-6
2.300	2.200	22	46	2-87331-5
1.800	1.700	17	36	2-87331-4
1.600	1.500	15	32	2-87331-3
1.100	1.000	10	22	2-87331-2
.600	.500	05	12	2-87331-1
.900	.800	08	18	2-87331-0
2.700	2.600	26	54	1-87331-9
1.700	1.600	16	34	1-87331-8
1.300	1.200	12	26	1-87331-7
1.200	1.100	11	24	1-87331-6
.700	.600	06	14	1-87331-5
2.100	2.000	20	42	1-87331-4
2.600	2.500	25	52	1-87331-3
2.200	2.100	21	44	1-87331-2
3.000	2.900	29	60	1-87331-1
1.500	1.400	14	30	1-87331-0
.500	.400	04	10	87331-9
2.500	2.400	24	50	87331-8
2.400	2.300	23	48	87331-7
.400	.300	03	8	87331-6
.800	.700	07	16	87331-5
1.000	.900	09	20	87331-4
1.400	1.300	13	28	87331-3
1.900	1.800	18	38	87331-2
2.000	1.900	19	40	87331-1

FINISH	C	B	A	NO OF POSN	PART NUMBER
--------	---	---	---	------------	-------------

THIS DRAWING IS A CONTROLLED DOCUMENT.

DWN J KNAUB 05-01-94
 CHK A GABANY 28-06-94
 APVD A GABANY 28-06-94

TOLERANCES UNLESS OTHERWISE SPECIFIED:
 0 PLC ± -
 1 PLC ± -
 2 PLC ± -
 3 PLC ± .005
 4 PLC ± -
 ANGLES ± -
 FINISH 4-10

MATERIAL 9

APVD A GABANY 28-06-94
 PRODUCT SPEC -
 APPLICATION SPEC -
 WEIGHT -

Customer Drawing

tyco Electronics
 Tyco Electronics Corporation
 Harrisburg, Pa 17105-3608

ASSEMBLY, MOD II, DOUBLE ROW, .100x.100 VERTICAL BOARD MOUNT, CARD EDGE

SIZE A2 CAGE CODE 00779 DRAWING NO C=87331 RESTRICTED TO -
 SCALE 1:1 SHEET 1 OF 1 REV U